

# Single Wall Ovens

FFEW2725L S/W/B

27" Electric



## Signature Features

### Ready-Select™ Controls

Easily select options or control cooking temperature with our easy-to-use controls.

### Even Baking Technology

Our latest technology ensures even baking every time.

### Self-Cleaning

Ovens clean themselves—so you don't have to.

### Attractive Stainless Steel Exterior<sup>1</sup>

## Product Dimensions

Height	29"
Width	27"
Depth	24-1/2"

## More Easy-To-Use Features

### Vari-Broil™ Option

Allows you to choose between two heat levels.

### Keep Warm

### Timer Lock-Out

### Oven Rack Handles

Oven racks are designed with space for you to easily pull out the racks, even when wearing an oven mitt.

### Extra-Large Window

Our extra-large oven window lets you easily see what's inside.

### Bright Oven Lighting

Our bright lighting makes it easy to see what's inside.

### Delay Clean

Set the oven to begin cleaning on your schedule.

### Delay Bake

### Timed Cook Option

### Auto Shut-Off

As an extra safety measure, the oven will automatically shut off after 12 hours.

A.D.A. Compliant<sup>2</sup>  
Sabbath Mode (Star-K® Certified)

## Available in:



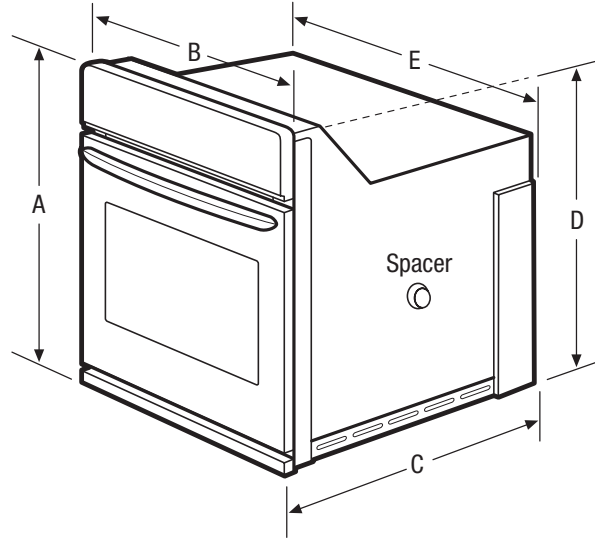
<sup>1</sup>Select models only.

<sup>2</sup>When properly installed, meets the appliance standards in the Americans with Disabilities Act and the Architectural Barriers Act Accessibility Guidelines as published by the United States Access Board on June 23, 2004, as amended August 5, 2005.

<b>Features</b>	
Window	Extra-Large
Exterior Door Finish	Stainless Steel (S), Color-Coordinated (W/B)
Handle Design	Stainless Steel (S), Color-Coordinated (W/B)
Convection System	
Cleaning System	Self Clean
<b>Controls &amp; Electronic Features</b>	
Oven Controls	Ready-Select™
Bake	Yes
Broil	Yes
Convection Bake	
Convection Broil	
Convection Roast	
Delay Bake	Yes
Keep Warm	Yes
Quick Preheat	
Self-Clean	Yes
Delay Clean	Yes
Add-a-Minute	
Auto Shut-Off	Yes
Timer Function	Yes
Timed Cook Option	Yes
<b>Oven Features</b>	
Capacity (Cu. Ft.)	3.5
Bake Element (Watts)	2,300
Baking System	Dual Radiant
Broil Element (Watts)	3,400
Broiling System	Vari-Broil™ Hi/Lo
Oven Light	Yes
Rack Configuration	2 Handle Racks
<b>Certifications</b>	
A.D.A. Compliant <sup>1</sup>	Yes
Sabbath Mode (Star-K® Certified)	Yes
<b>Specifications</b>	
Oven Interior (H x W x D)	16-1/2" x 20-1/2" x 18-1/32"
Power Supply Connection Location	Left Bottom Rear
Voltage Rating	240V / 208V / 60Hz
Connected Load (kW Rating) @ 240 / 208 Volts <sup>2</sup>	3.4 / 2.6
Amps @ 240 / 208 Volts	14.5 / 12.5
Minimum Circuit Required (Amps)	20
Approved for Under-Counter Installation	Yes
Shipping Weight (Approx.)	155 Lbs.

<sup>1</sup>When properly installed, meets the appliance standards in the Americans with Disabilities Act and the Architectural Barriers Act Accessibility Guidelines as published by the United States Access Board on June 23, 2004, as amended August 5, 2005.

<sup>2</sup>Single phase 3- or 4-wire cable, 120/240 or 120/208 Volt, 60 Hertz AC only electrical supply with ground required on separate circuit fused on both sides of line.



NOTE: Always consult local and national electric codes. Refer to Product Installation Guide for detailed installation instructions on the web at [frigidaire.com](http://frigidaire.com).



Product Dimensions	
A - Height	29"
B - Width	27"
C - Depth	24-1/2"
D - Height (Wrapper)	27-3/16"
E - Width (Wrapper)	24-5/8"
Depth with Door Open 90°	44-1/2"

Cutout Dimensions	
Height (Min.)	27-1/4"
Height (Max.)	28-5/8"
Width (Min.)	24-7/8"
Width (Max.)	25-1/4"
Depth	23-1/2"